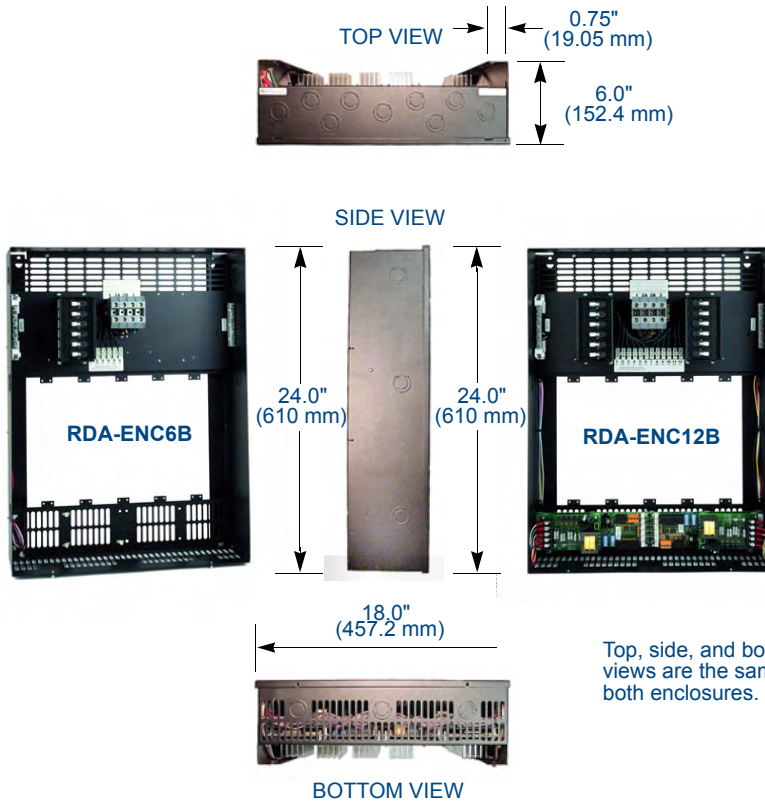


The RDA-ENC6B (FG606-13) and RDA-ENC12B (FG606-14) enclosures provide secure mounting for all AMX Lighting and ProLink controllers, and lighting modules. These enclosures contain circuit breakers.

These enclosures are CE, UL, and C-UL approved. They include circuit breakers and terminals for multi-phase wiring.

They also provide 18 knockouts for 1/2", 3/4", and 1" conduits.



Top, side, and bottom views are the same for both enclosures.

### RDA-ENC6B Configurations:

- ENC6B/120 20 A Breakers
- ENC6B/240 10 A Breakers

### RDA-ENC12B Configurations:

- ENC12B/120 20 A Breakers
- ENC12B/240 10 A Breakers

### RDK Configurations:

- RDK-ENC6B with 1 RDC-PDC
- RDK-ENC12B/240 2 RDC-PDC

Sample RDK-ENC12B kit shown with 2 RDC-PDC

### Note:

LINE INPUTS: 120 A MAX PER TERMINAL  
Use 75° C copper conductors only.  
Torque terminals to 44 in-lbs.

FIG. 1 Top, front, bottom, and side views of the RDA-ENC6B and RDA-ENC12B enclosures

### Installation Instructions:

- For indoor use only.
- Mount on vertical surface only.
- Maintain 12" (304.88 mm) minimum clearance above and below the enclosure.
- Route class 1 conductors through upper conduit knockouts.
- Route class 2 conductors through lower conduit knockouts.
- Use 75°C (167°F) copper conductors only.
- Install filler plate #28-10500 (RDA-EFP) in all unused openings.
- Install only UL approved modules (see the UL Number Cross Reference to AMX Lighting ID table on page 2).

### Enclosure Weights:

- RDA-ENC6B: 16.5 lbs. (7.48 kg)
- RDA-ENC12B: 17.5 lbs. (7.94 kg)

### Dimensions between center lines (from FIG. 2):

RDA-ENC6B:

- A to B = 16.0" (406.4 mm)
- B to C = 22.88" (581.2 mm)

RDA-ENC12B:

- A to B = 16.0" (406.4 mm)
- B to C = 22.88" (581.2 mm)

Radia enclosures must be mounted on a vertical surface with a minimum of 12" (304.8 mm) clearance above and below the enclosure.

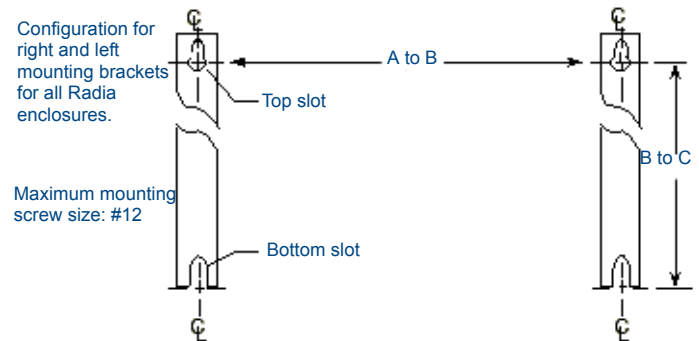


FIG. 2 Bracket configuration

### Specifications

- Maximum input wire #1/0 AWG (50mm<sup>2</sup>)
- Maximum line input is 120 A (per terminal)
- Torque input wire to 44 in-lbs. (5.0 N/m)
- Wire stripping length: 0.67 inches (17 mm)
- Input 1 feeds channels 1, 4, 7, and 10
- Input 2a feeds channels 5 and 11
- Input 2b feeds channels 2 and 8
- Input 3 feeds channels 3, 6, 9, and 12
- Breakers are UL 489 listed 10,000 AIC, 100% Switching Duty, Hydraulic-Magnetic

The following section cross references the UL ID module numbers and AMX Lighting module IDs.

The modules identified are the only ones that can be used in the RDA-ENC6B and RDA-ENC12B enclosures.

UL Number Cross Reference to AMX Lighting ID					
UL ID	AMX ID	UL ID	AMX ID	UL ID	AMX ID
28-10100	RDC-DC/120	28-10200	RDM-INC	28-10300	RDM-MR60
28-10110	RDC-DC/240	28-10210	RDM-2INC	28-10310	RDM-MDM
28-10120	RDC-DC/277	28-10220	RDM-INC50	28-10340	RDA-CHK
28-10130	RDC-PDC/120	28-10230	RDM-ZC, RDM-2ZC	28-10350	RDM-FDB RDM-2FDB RDM-3FDB RDM-HFDB
28-10133	RDC-PDC/240	28-10240	RDM-ZC50	28-10360	RDM-DPSM

UL Number Cross Reference to AMX Lighting ID (Cont.)					
UL ID	AMX ID	UL ID	AMX ID	UL ID	AMX ID
28-10140	RDD-DM6/120	28-10260	RDM-SWM, RDM-2SWM, RDM-3SWM	28-10370	RDM-DC, RDM-2DC, RDM-3DC RDM-HDC
28-10150	RDD-DM6/240	28-10270	RDM-HSW, RDM-2HSW, RDM-3HSW		
28-10160	RDD-DM6/277				
28-10170	RDA-PSM/120				

### Lighting Application Drawings

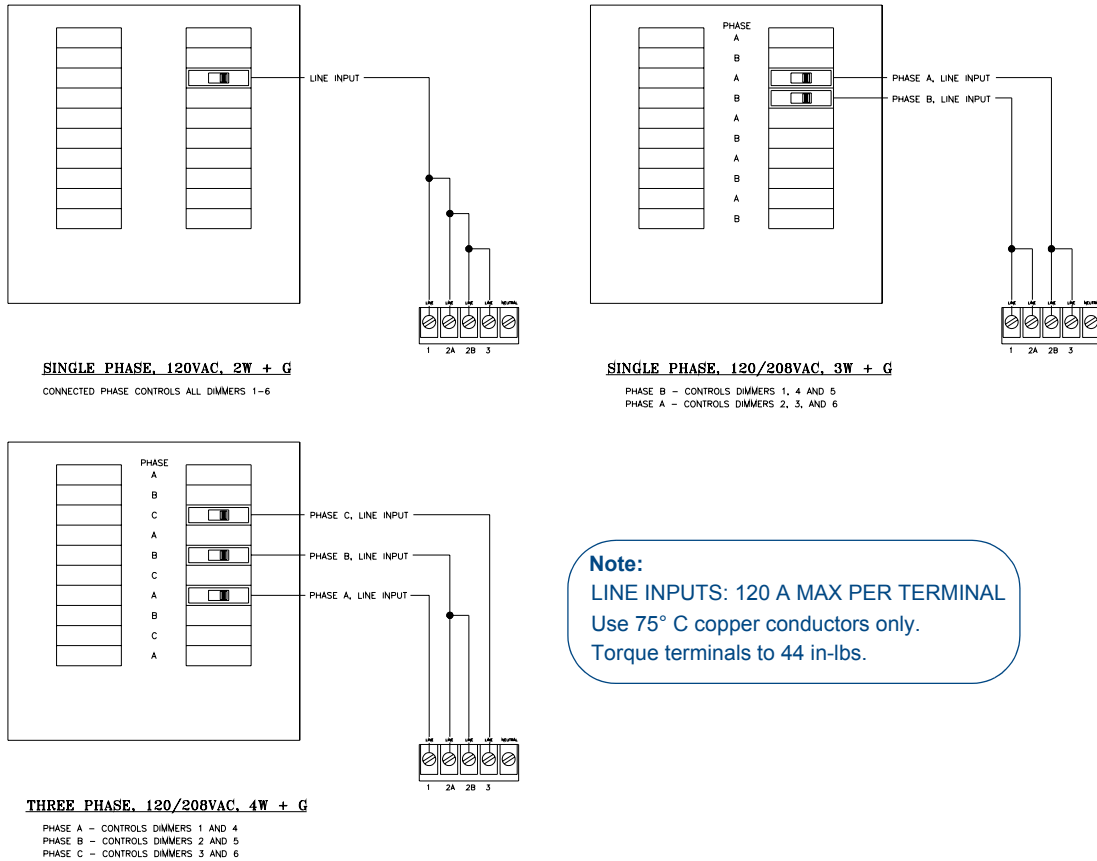


FIG. 3 ENC6B and ENC12B Power Distribution

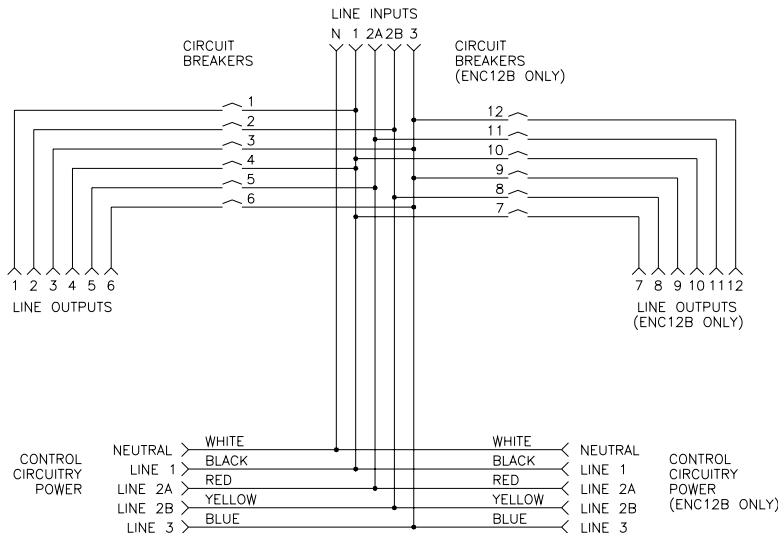


FIG. 4 ENC6B and ENC12B Input Terminal Block Wiring

For full warranty information, refer to the AMX Instruction Manual(s) associated with your Product(s).

93-0606-13 REV: B

10/08

©2008 AMX. All rights reserved. AMX and the AMX logo are registered trademarks of AMX.

AMX reserves the right to alter specifications without notice at any time.

3000 RESEARCH DRIVE, RICHARDSON, TX 75082 • 800.222.0193 • fax 469.624.7153 • technical support 800.932.6993 • www.amx.com

